



1

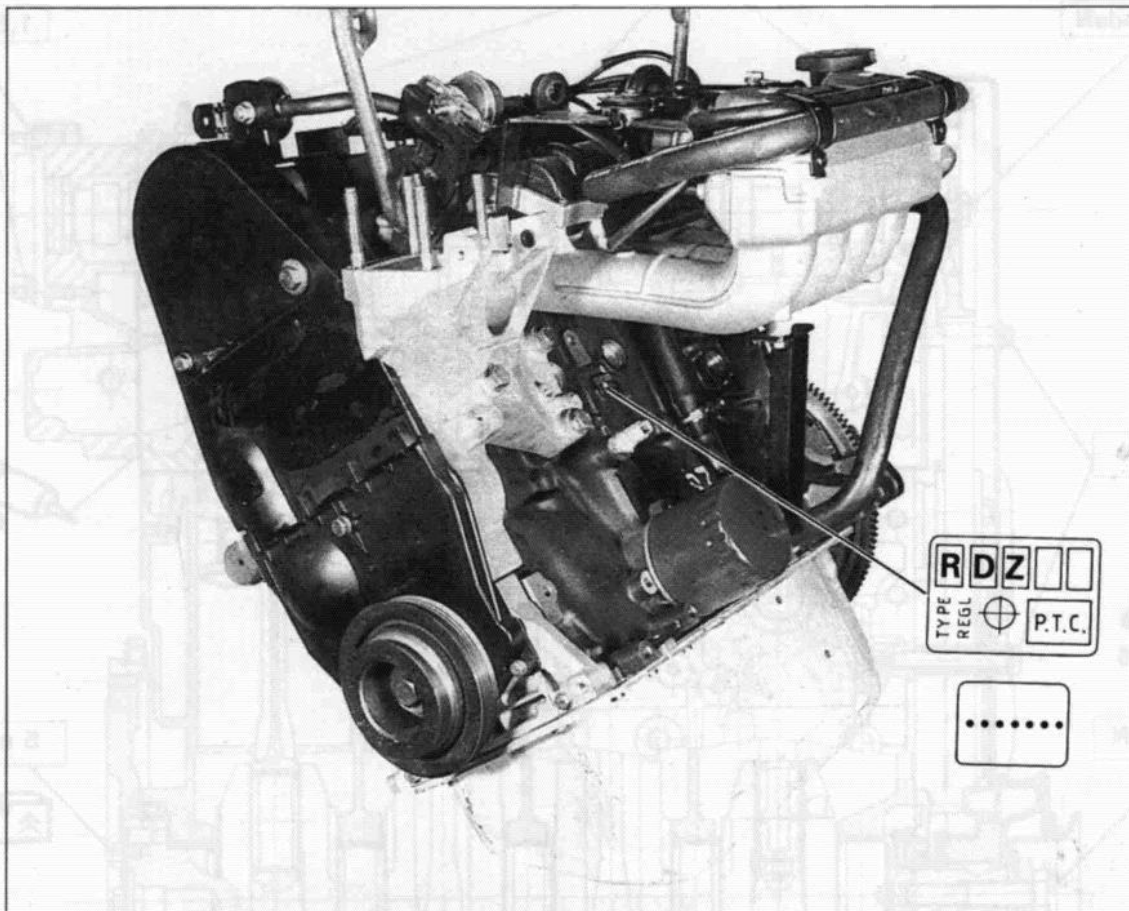
RDZ



XU 10

XM
100-00/9

1



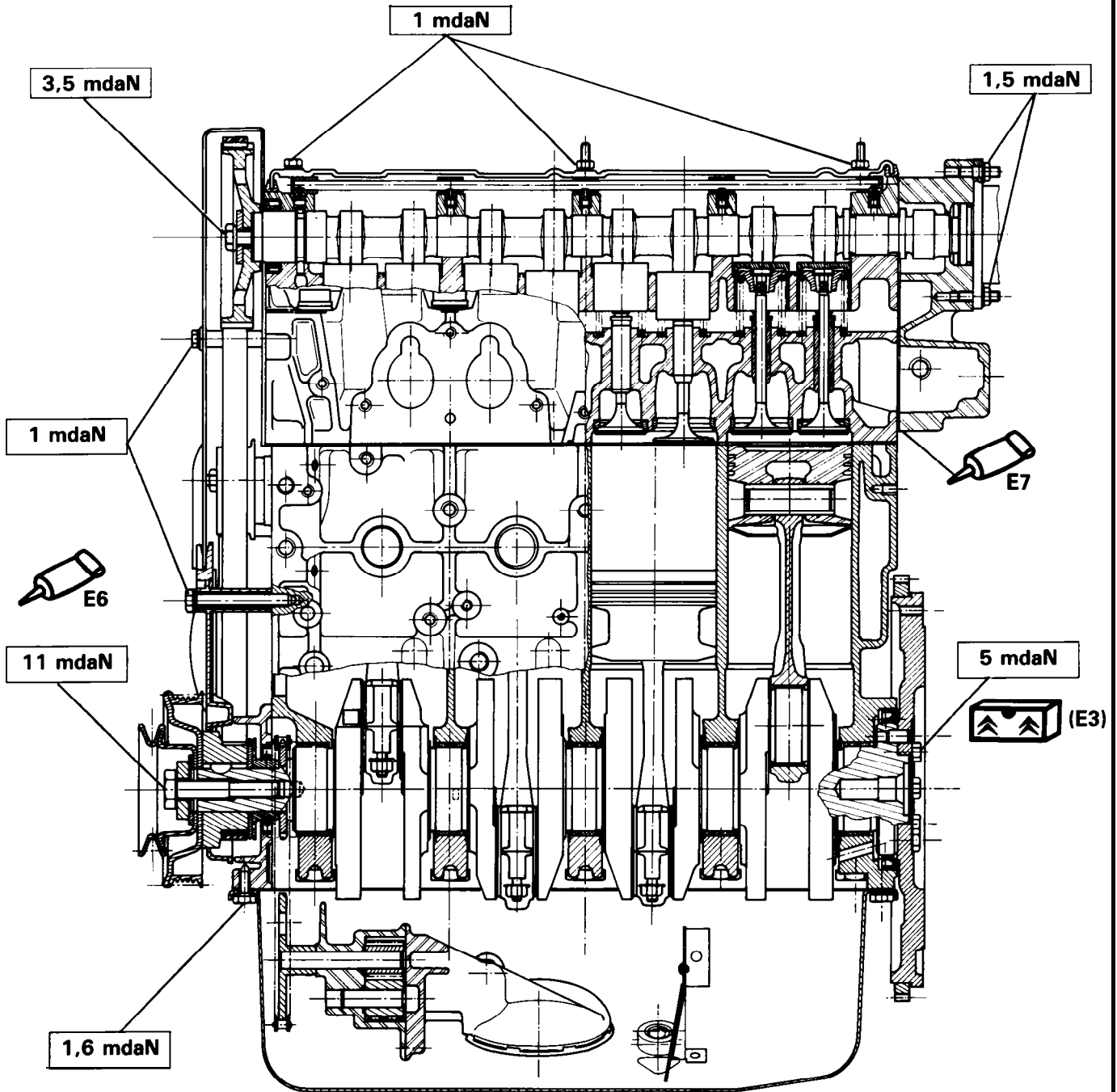
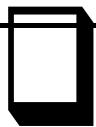
89-378



4 CYL.



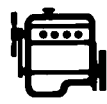
RDZ



Y.10-1



1



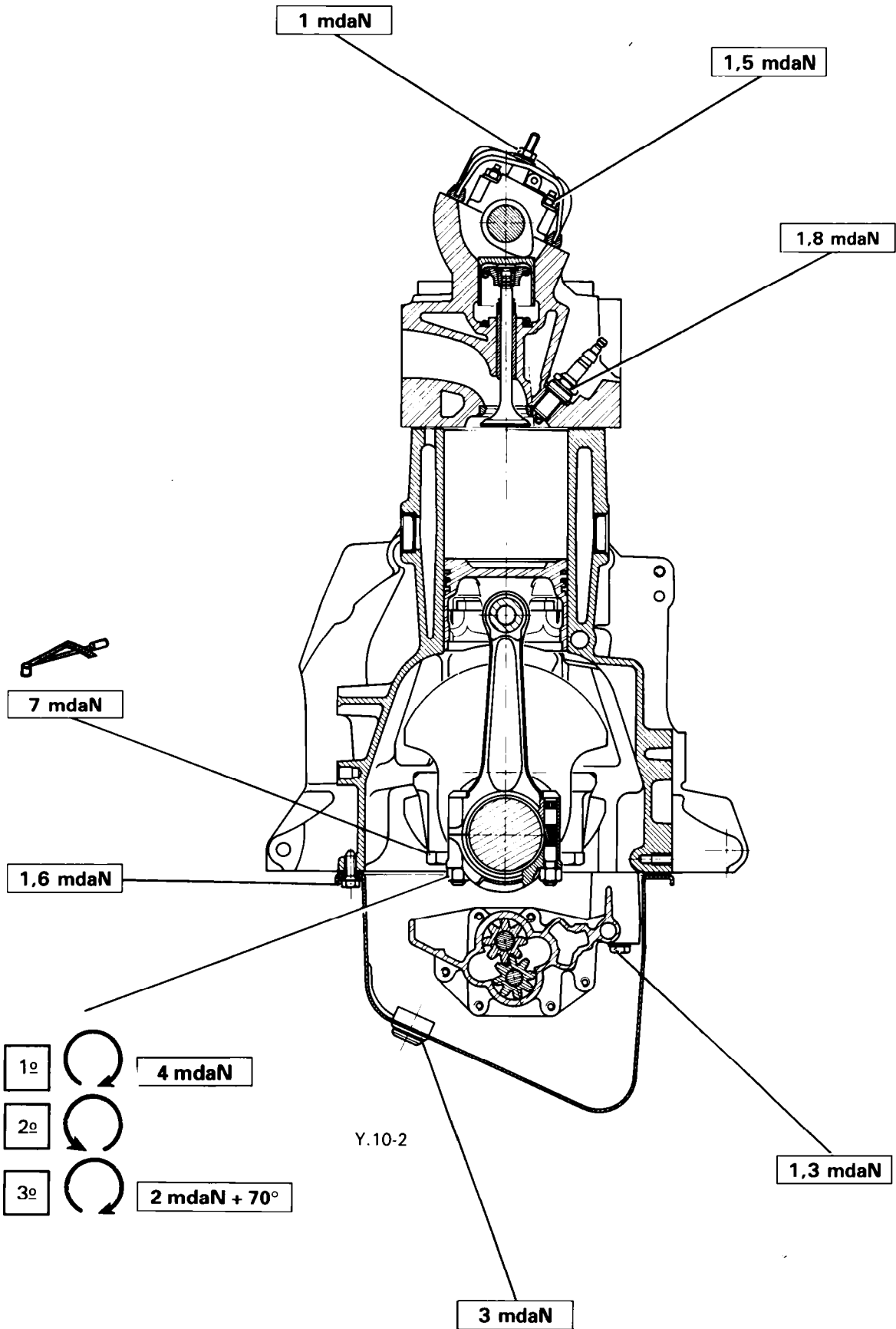
4 CYL.



RDZ

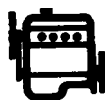
XM
100-00/9

3



4

XM
100-00/9

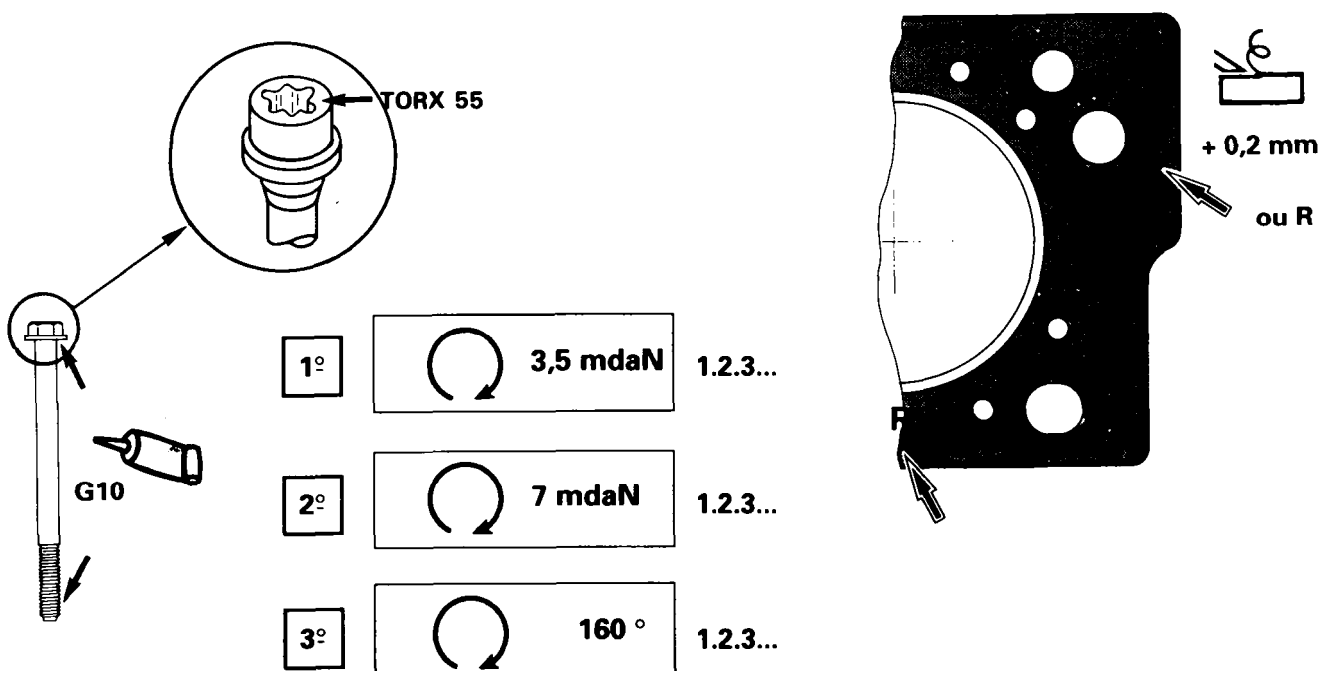
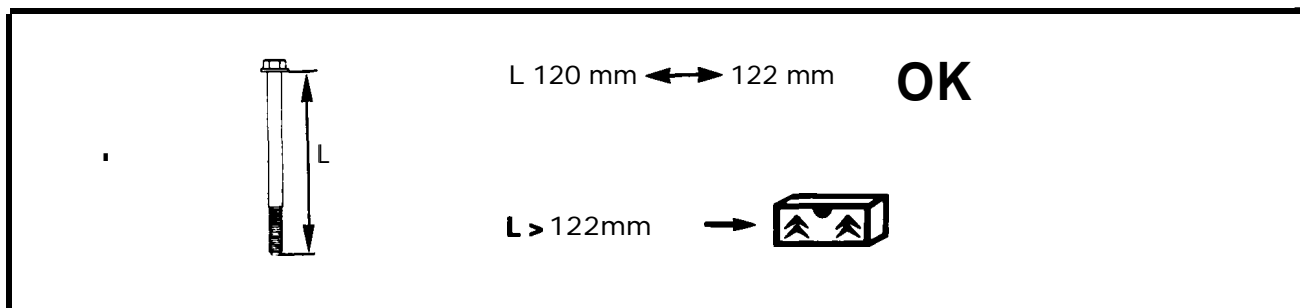
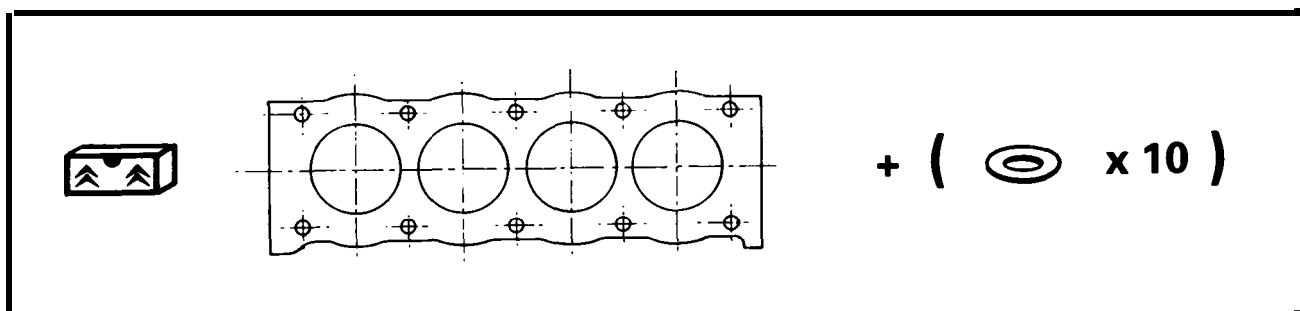
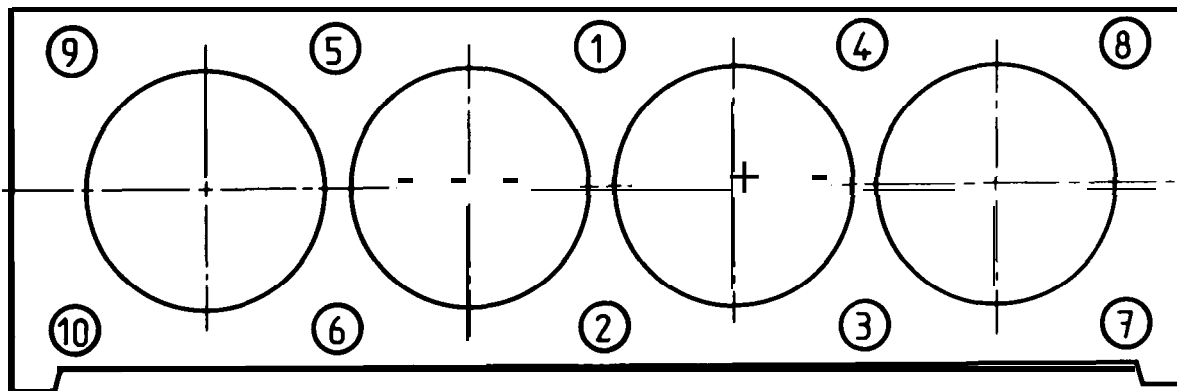


4 CYL.



RDZ

1





1



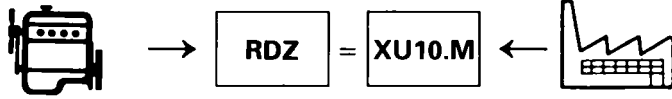
4 CYL.



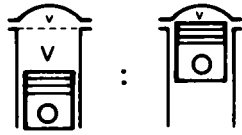
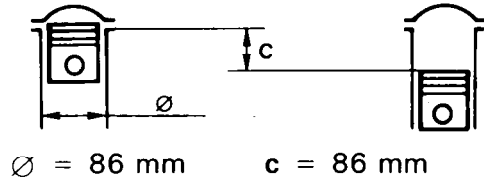
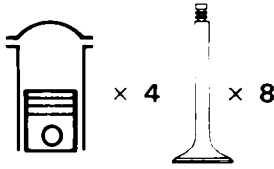
RDZ

XM
100-00/9

5



1998 cm³



8,8 / 1

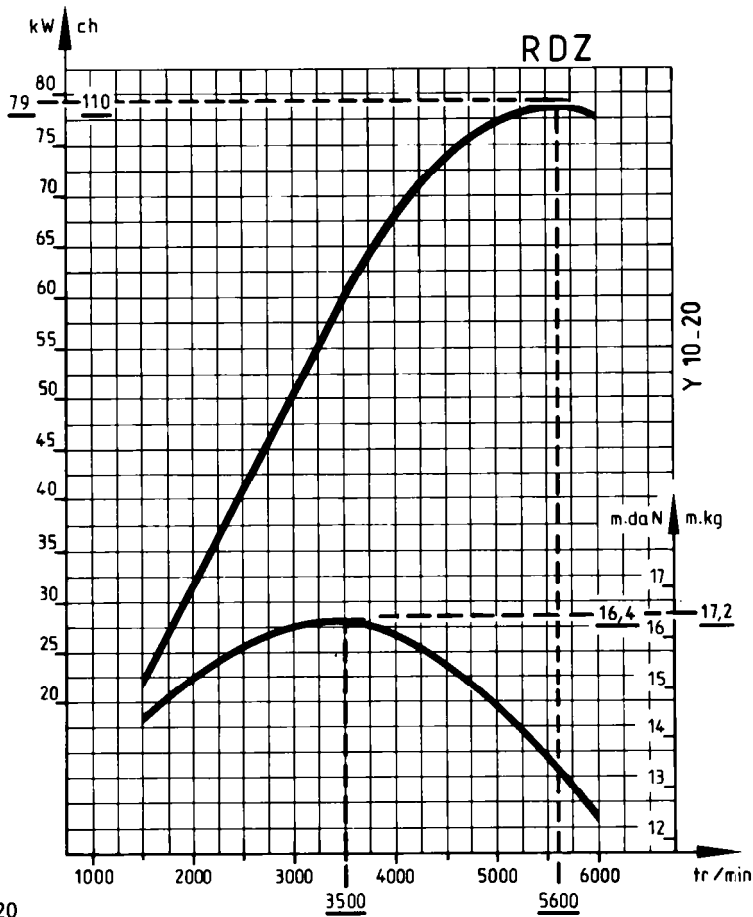
SUPER CARBURANT
RON 98

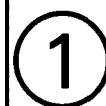


- SUPER RON 98 / MON 88
- EUROSUPER RON 95 / MON 85



1. 3. 4. 2

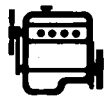




	<p>235 ± 0,05 mm</p>							
	<p>Ø = 63,750 ⁰/_{-0,019} mm</p> <p>e = 21.82 ± 0,05 mm</p>							
	<table border="1"> <thead> <tr> <th data-bbox="747 1052 1026 1099">A</th> <th data-bbox="1029 1052 1299 1099">B</th> </tr> </thead> <tbody> <tr> <td data-bbox="747 1104 1026 1197">60 ⁰/_{-0,019} mm</td> <td data-bbox="1029 1104 1299 1197">50 ⁰/_{-0,016} mm</td> </tr> </tbody> </table>	A	B	60 ⁰ / _{-0,019} mm	50 ⁰ / _{-0,016} mm	<table border="1"> <thead> <tr> <th data-bbox="1029 1052 1299 1099">B</th> </tr> </thead> <tbody> <tr> <td data-bbox="1029 1104 1299 1197">49,7 ⁰/_{-0,016} mm</td> </tr> </tbody> </table>	B	49,7 ⁰ / _{-0,016} mm
A	B							
60 ⁰ / _{-0,019} mm	50 ⁰ / _{-0,016} mm							
B								
49,7 ⁰ / _{-0,016} mm								
<p>Ø 90 ⁰/_{-0,022}</p> <p>a - b</p>	<p>59,7 ⁰/_{-0,019} mm</p> <p>0,007 mm</p>	<p>49,7 ⁰/_{-0,016} mm</p> <p>0,007 mm</p>						
	<p>1,842 mm</p>	<p>1,837 mm N</p>						
	<p>1,992 mm B</p>	<p>1,987 mm B</p>						



1



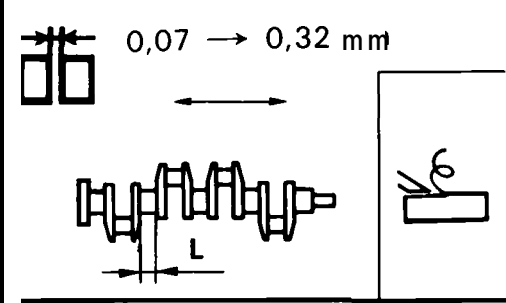
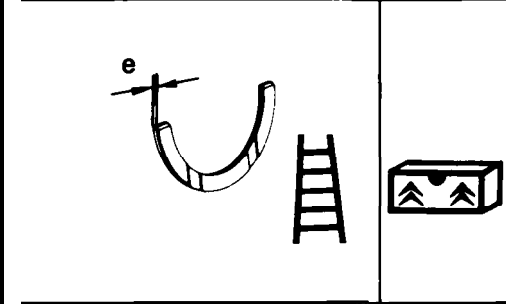
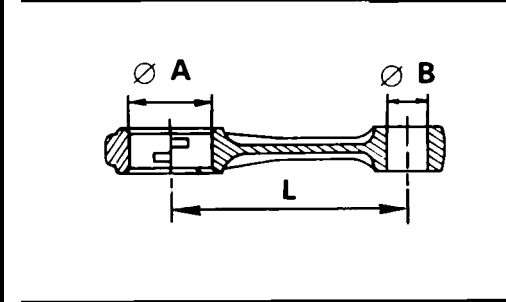
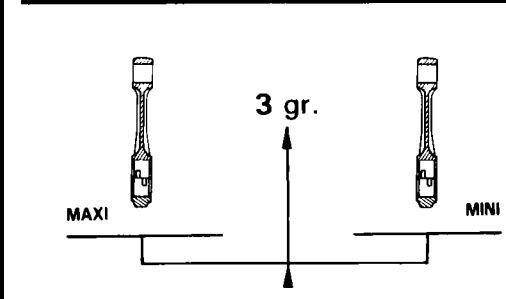
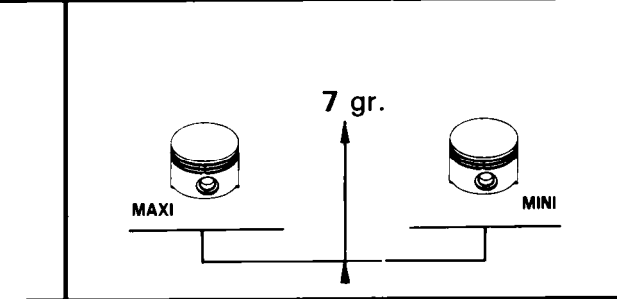
4 CYL.

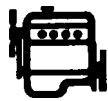


RDZ

XM
100-00/9

7

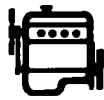
	<p>$25,70^{+0,05}_0$ mm</p> <table border="1"> <tr><td>1</td><td>25.90 mm</td></tr> <tr><td>2</td><td>26,00 mm</td></tr> <tr><td>3</td><td>26,10 mm</td></tr> </table>	1	25.90 mm	2	26,00 mm	3	26,10 mm		
1	25.90 mm								
2	26,00 mm								
3	26,10 mm								
	<table border="1"> <tr><td></td><td>1,85 mm</td></tr> <tr><td>1</td><td>1,95 mm</td></tr> <tr><td>2</td><td>2.00 mm</td></tr> <tr><td>3</td><td>2,05 mm</td></tr> </table>		1,85 mm	1	1,95 mm	2	2.00 mm	3	2,05 mm
	1,85 mm								
1	1,95 mm								
2	2.00 mm								
3	2,05 mm								
	<p>$A = 53,695^{+0,013}_0$ mm</p> <hr/> <p>$B = 22^{-0,029}_{-0,041}$ mm</p> <hr/> <p>L = 152 mm</p>								
									



	<p>Ø A</p> <p>Ø B</p>	<table border="1"> <tr> <td></td> <td></td> <td>86</td> <td>$+ 0,018$</td> <td>mm</td> </tr> <tr> <td></td> <td></td> <td></td> <td>0</td> <td></td> </tr> <tr> <td>R1</td> <td></td> <td>86,25</td> <td>$+ 0,018$</td> <td>mm</td> </tr> <tr> <td></td> <td></td> <td></td> <td>0</td> <td></td> </tr> <tr> <td>R2</td> <td></td> <td>86,60</td> <td>$+ 0,018$</td> <td>mm</td> </tr> <tr> <td></td> <td></td> <td></td> <td>0</td> <td></td> </tr> <tr> <td></td> <td></td> <td>85,967</td> <td>$\pm 0,009$</td> <td>mm</td> </tr> <tr> <td>R1</td> <td></td> <td>86,217</td> <td>$\pm 0,009$</td> <td>mm</td> </tr> <tr> <td></td> <td></td> <td></td> <td></td> <td></td> </tr> <tr> <td>R2</td> <td></td> <td>86,567</td> <td>$\pm 0,009$</td> <td>mm</td> </tr> </table>			86	$+ 0,018$	mm				0		R1		86,25	$+ 0,018$	mm				0		R2		86,60	$+ 0,018$	mm				0				85,967	$\pm 0,009$	mm	R1		86,217	$\pm 0,009$	mm						R2		86,567	$\pm 0,009$	mm
		86	$+ 0,018$	mm																																																
			0																																																	
R1		86,25	$+ 0,018$	mm																																																
			0																																																	
R2		86,60	$+ 0,018$	mm																																																
			0																																																	
		85,967	$\pm 0,009$	mm																																																
R1		86,217	$\pm 0,009$	mm																																																
R2		86,567	$\pm 0,009$	mm																																																
	<p>1,5 mm</p> <p>1,75 mm</p> <p>3 mm</p>	<table border="1"> <tr> <td></td> <td></td> <td>N</td> <td></td> <td></td> </tr> <tr> <td>R1</td> <td></td> <td>BI</td> <td></td> <td>0,20</td> </tr> <tr> <td>R2</td> <td></td> <td>R</td> <td></td> <td>0,40</td> </tr> <tr> <td></td> <td></td> <td>G</td> <td></td> <td></td> </tr> <tr> <td>R1</td> <td></td> <td>BI</td> <td></td> <td>0,15</td> </tr> <tr> <td>R2</td> <td></td> <td>R</td> <td></td> <td>0,35</td> </tr> <tr> <td>R1</td> <td></td> <td>BI</td> <td></td> <td>(U. FLEX)</td> </tr> <tr> <td>R2</td> <td></td> <td>R</td> <td></td> <td></td> </tr> </table>			N			R1		BI		0,20	R2		R		0,40			G			R1		BI		0,15	R2		R		0,35	R1		BI		(U. FLEX)	R2		R												
		N																																																		
R1		BI		0,20																																																
R2		R		0,40																																																
		G																																																		
R1		BI		0,15																																																
R2		R		0,35																																																
R1		BI		(U. FLEX)																																																
R2		R																																																		
<p>*</p>	<p>7mm</p>																																																			
<p>*</p>	<p>R1 - R2</p>																																																			



1



4 CYL.



RDZ

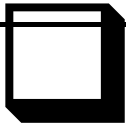
XM
100-00/9

9

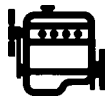
	4,5 mm 	4,5 mm
	13 ^{+ 0,068} / _{+ 0,050} mm	13 ^{+ 0,068} / _{+ 0,050} mm
	1 13,275 ^{+ 0,068} / _{+ 0,050} mm	1 13,275 ^{+ 0,068} / _{+ 0,050} mm
	2 13,525 ^{+ 0,068} / _{+ 0,050} mm	2 13,525 ^{+ 0,068} / _{+ 0,050} mm
	43,07 ^{+ 0,122} / _{+ 0,097} mm	36,07 ^{+ 0,105} / _{+ 0,080} mm
	1 43,32 ^{+ 0,122} / _{+ 0,097} mm	1 36,32 ^{+ 0,105} / _{+ 0,080} mm
	2 43,57 ^{+ 0,122} / _{+ 0,097} mm	2 36,57 ^{+ 0,105} / _{+ 0,080} mm
	Ø1 42,6 mm	34,5 mm
	Ø2 7,984 ⁰ / _{- 0,015} mm	7,970 ⁰ / _{- 0,015} mm
	L 108,70 mm	108,25 mm
	0,20 ± 0,05 mm	
	2,225 mm (0,025 ↔ 0,025 mm) 3,550 mm	
	11 mm	11 mm



	$\varnothing 1$	13 $\begin{matrix} - 0,003 \\ - 0,030 \end{matrix}$ mm	13 $\begin{matrix} - 0,003 \\ + 0,030 \end{matrix}$ mm	
		1	13,245 $\begin{matrix} + 0,027 \\ 0 \end{matrix}$ mm	13,245 $\begin{matrix} + 0,027 \\ 0 \end{matrix}$ mm
		2	13,495 $\begin{matrix} + 0,027 \\ 0 \end{matrix}$ mm	13,495 $\begin{matrix} + 0,027 \\ 0 \end{matrix}$ mm
	$\varnothing 2$	43 $\begin{matrix} + 0,039 \\ 0 \end{matrix}$ mm	36 $\begin{matrix} + 0,039 \\ 0 \end{matrix}$ mm	
		1	43,25 $\begin{matrix} + 0,039 \\ 0 \end{matrix}$ mm	36,25 $\begin{matrix} + 0,039 \\ 0 \end{matrix}$ mm
		2	43,50 $\begin{matrix} + 0,039 \\ 0 \end{matrix}$ mm	36,50 $\begin{matrix} + 0,039 \\ 0 \end{matrix}$ mm
		15,78 $\pm 0,20$ mm	15,05 $\pm 0,20$ mm	
		1	15,88 $\begin{matrix} + 0,20 \\ 0 \end{matrix}$ mm	15,15 $\begin{matrix} + 0,20 \\ 0 \end{matrix}$ mm
		2	15,98 $\begin{matrix} + 0,20 \\ 0 \end{matrix}$ mm	15,25 $\begin{matrix} + 0,20 \\ 0 \end{matrix}$ mm
		$\varnothing = 8$ $\begin{matrix} + 0,022 \\ 0 \end{matrix}$ mm	$\varnothing = 8$ $\begin{matrix} + 0,022 \\ 0 \end{matrix}$ mm	
		L = 40 $\pm 0,35$ mm	L = 33 $\pm 0,35$ mm	



1

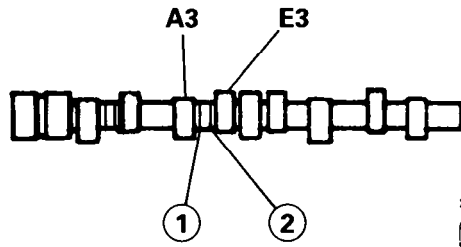


4CYL.



XM
RDZ100-00/9

11

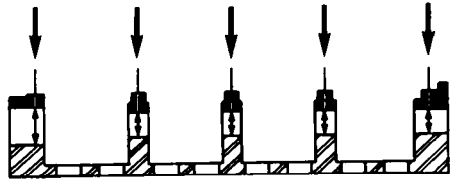


① = BLANC B

② = BLANC B



- 0.5 - 0.4 - 0.3 - 0.2 - 0.1



Ø 1 **27** - 0,020
 - 0,041 mm

Ø 2 **27,5** - 0,020
 - 0,041 mm

Ø 3 **28** - 0,020
 - 0,041 mm

Ø 4 **28,5** - 0,020
 - 0,041 mm

Ø 5 **36** - 0,025
 - 0,050 mm

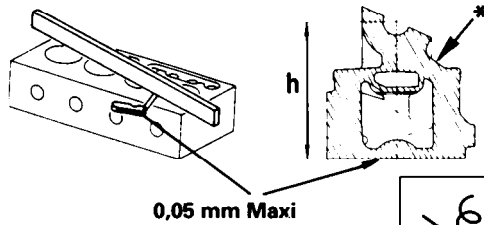
Ø 1 **27** + 0,033
 0 mm

Ø 2 **27,5** + 0,033
 0 mm

Ø 3 **28** + 0,033
 0 mm

Ø 4 **28,5** + 0,033
 0 mm

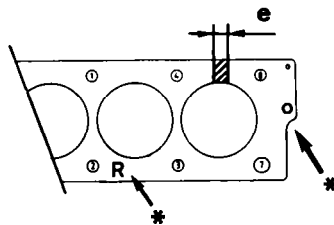
Ø 5 **36** + 0,039
 0 mm



$h = 141 \pm 0,05 \text{ mm}$



$h - 0,2 \text{ mm}$
 $h (R)* = 140,75 \text{ mm Mini}$



$e = 1,30 \text{ mm}$

$e + 0,2 \text{ mm}$
 $* R \text{ ou } \text{Ø} 4 \text{ mm}$

